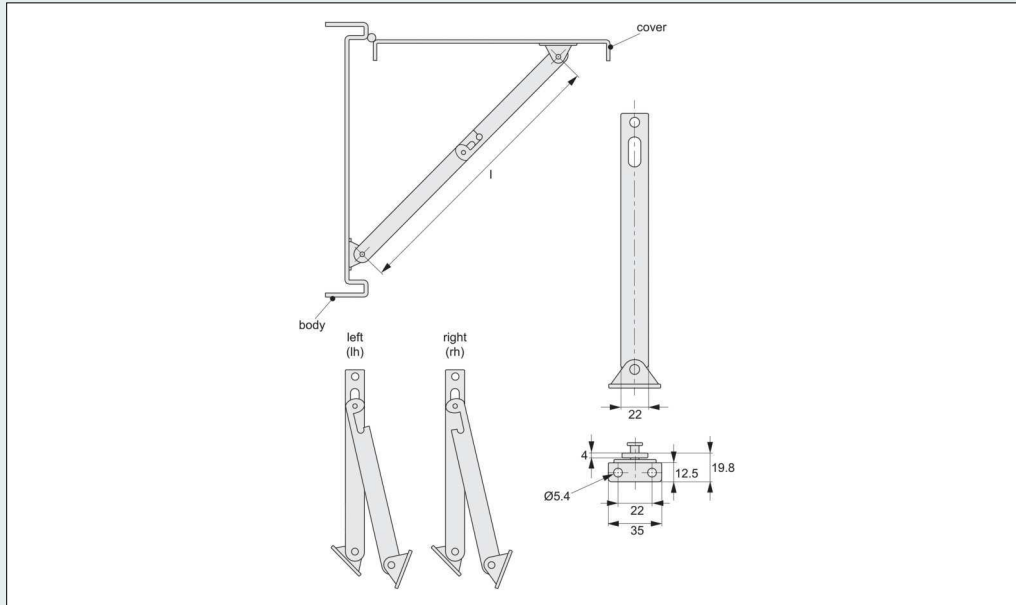


# Lid Stays - Heavy Duty

stainless steel

Access Hardware



## ST0016

### Material

Stainless steel, AISI 304.

### Technical notes

Right or left handed, please refer to table. Ideal for screw or weld-on mounting.

### Referral

For zinc plated model see part ST0012.

Order No.	Type	l
ST0016.M0006	Right hand	135
ST0016.M0008	Right hand	202
ST0016.M0010	Right hand	292
ST0016.M0106	Left hand	135
ST0016.M0108	Left hand	202
ST0016.M0110	Left hand	292