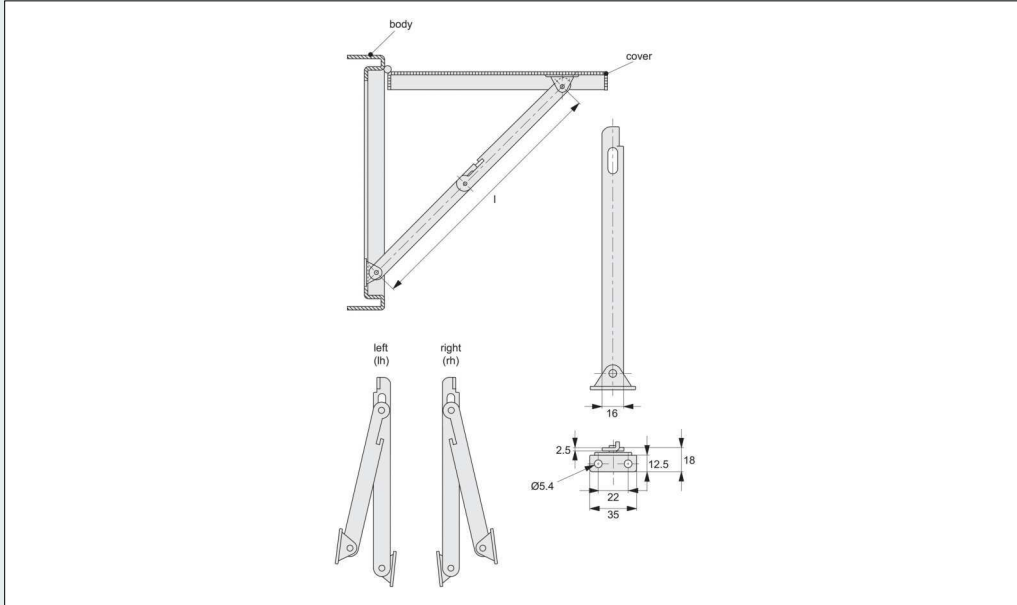


Lid Stays

stainless steel

Access Hardware



ST0014

Material

Stainless steel, AISI 304.

Technical notes

Right or left handed, please refer to table. Ideal for screw or weld-on mounting.

Referral

For zinc plated model see part ST0010.

Order No.	Type	l
ST0014.M0006	Right hand	135
ST0014.M0008	Right hand	202
ST0014.M0010	Right hand	292
ST0014.M0106	Left hand	135
ST0014.M0108	Left hand	202
ST0014.M0110	Left hand	292