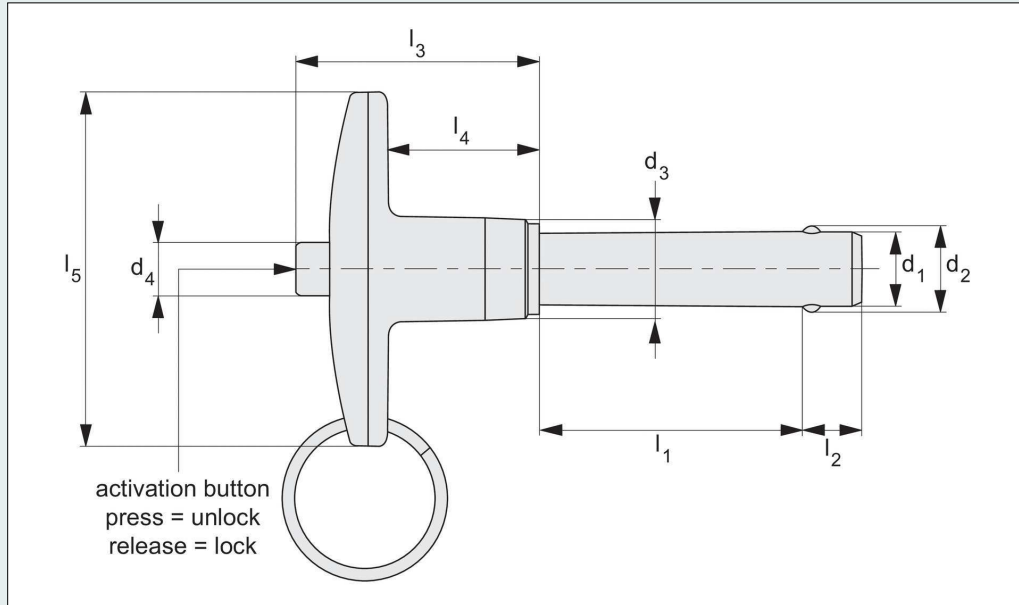


Quick Release Pins - Inch - T-handle

stainless pin

Quick Release Pins



QR1024

Material

Pin: stainless steel, AISI 304 (DIN 1.4301) or AISI 303 (DIN 1.4305), passivated. Tensile strength 500 N/mm² min. RoHS compliant.
 Handle: Alu. 380 die cast (DIN AISi9Cu3), black anodised (RAL 9003).
 Actuator button: Alu. 2024-T4 (DIN

AlCuMg2), anodised blue or clear. Internal spindle, balls and split ring (supplied); from stainless steel.

Technical notes

Pressing = unlocking.
 Releasing = locking.
 Temperature range -30°C to +150°C
Supplied with split ring.

Tips

For quick fastening and locking frequently repeated connections.
 For lanyards & retaining cables see part nos. LA1010 to LA1224. For easy install locating bushes and end caps see part nos. LA1260 to LA1355.

Order No.	d ₁ nom. dia.	l ₁ grip +0,02, -0,00	Material	d ₁ max.	d ₁ min.	d ₂ ±,005	d ₃	d ₄	l ₂ +0,00 -0,030	l ₃	l ₄	l ₅	Locn. hole max/min	Min. pull out strengt h lbs	Calc. double shear lbs
QR1024.I25-050-S	1/4	0,50	304 SS	,2485	,2470	0,289	0,47	0,23	0,290	1,21	0,76	1,81	,2540/,2500	230	2200
QR1024.I25-075-S	1/4	0,75	304 SS	,2485	,2470	0,289	0,47	0,23	0,290	1,21	0,76	1,81	,2540/,2500	230	2200
QR1024.I25-100-S	1/4	1,00	304 SS	,2485	,2470	0,289	0,47	0,23	0,290	1,21	0,76	1,81	,2540/,2500	230	2200
QR1024.I25-125-S	1/4	1,25	304 SS	,2485	,2470	0,289	0,47	0,23	0,290	1,21	0,76	1,81	,2540/,2500	230	2200
QR1024.I25-150-S	1/4	1,50	304 SS	,2485	,2470	0,289	0,47	0,23	0,290	1,21	0,76	1,81	,2540/,2500	230	2200
QR1024.I25-175-S	1/4	1,75	304 SS	,2485	,2470	0,289	0,47	0,23	0,290	1,21	0,76	1,81	,2540/,2500	230	2200
QR1024.I25-200-S	1/4	2,00	304 SS	,2485	,2470	0,289	0,47	0,23	0,290	1,21	0,76	1,81	,2540/,2500	230	2200
QR1024.I25-250-S	1/4	2,50	304 SS	,2485	,2470	0,289	0,47	0,23	0,290	1,21	0,76	1,81	,2540/,2500	230	2200
QR1024.I25-300-S	1/4	3,00	304 SS	,2485	,2470	0,289	0,47	0,23	0,290	1,21	0,76	1,81	,2540/,2500	230	2200
QR1024.I25-350-S	1/4	3,50	304 SS	,2485	,2470	0,289	0,47	0,23	0,290	1,21	0,76	1,81	,2540/,2500	230	2200
QR1024.I25-400-S	1/4	4,00	304 SS	,2485	,2470	0,289	0,47	0,23	0,290	1,21	0,76	1,81	,2540/,2500	230	2200
QR1024.I31-050-S	5/16	0,50	304 SS	,3110	,3095	0,375	0,47	0,23	0,330	1,21	0,76	1,81	,3165/,3125	510	3500
QR1024.I31-075-S	5/16	0,75	304 SS	,3110	,3095	0,375	0,47	0,23	0,330	1,21	0,76	1,81	,3165/,3125	510	3500
QR1024.I31-100-S	5/16	1,00	304 SS	,3110	,3095	0,375	0,47	0,23	0,330	1,21	0,76	1,81	,3165/,3125	510	3500
QR1024.I31-125-S	5/16	1,25	304 SS	,3110	,3095	0,375	0,47	0,23	0,330	1,21	0,76	1,81	,3165/,3125	510	3500
QR1024.I31-150-S	5/16	1,50	304 SS	,3110	,3095	0,375	0,47	0,23	0,330	1,21	0,76	1,81	,3165/,3125	510	3500
QR1024.I31-175-S	5/16	1,75	304 SS	,3110	,3095	0,375	0,47	0,23	0,330	1,21	0,76	1,81	,3165/,3125	510	3500
QR1024.I31-200-S	5/16	2,00	304 SS	,3110	,3095	0,375	0,47	0,23	0,330	1,21	0,76	1,81	,3165/,3125	510	3500
QR1024.I31-250-S	5/16	2,50	304 SS	,3110	,3095	0,375	0,47	0,23	0,330	1,21	0,76	1,81	,3165/,3125	510	3500
QR1024.I31-300-S	5/16	3,00	304 SS	,3110	,3095	0,375	0,47	0,23	0,330	1,21	0,76	1,81	,3165/,3125	510	3500
QR1024.I31-350-S	5/16	3,50	304 SS	,3110	,3095	0,375	0,47	0,23	0,330	1,21	0,76	1,81	,3165/,3125	510	3500
QR1024.I31-400-S	5/16	4,00	304 SS	,3110	,3095	0,375	0,47	0,23	0,330	1,21	0,76	1,81	,3165/,3125	510	3500

Quick Release Pins - Inch - T-handle

stainless pin

Quick Release Pins

Order No.	d ₁ nom. dia.	l ₁ grip +0,02, -0,00	Material	d ₁ max.	d ₁ min.	d ₂ ±,005	d ₃	d ₄	l ₂ + ,000 - ,030	l ₃	l ₄	l ₅	Locn. hole max/min	Min. pull out strengt h lbs	Calc. double shear lbs
QR1024.I37-050-S	3/8	0,50	304 SS	,3735	,3720	0,440	0,56	0,29	0,365	1,37	0,87	2,00	,3790/,3750	575	4500
QR1024.I37-075-S	3/8	0,75	304 SS	,3735	,3720	0,440	0,56	0,29	0,365	1,37	0,87	2,00	,3790/,3750	575	4500
QR1024.I37-100-S	3/8	1,00	304 SS	,3735	,3720	0,440	0,56	0,29	0,365	1,37	0,87	2,00	,3790/,3750	575	4500
QR1024.I37-125-S	3/8	1,25	304 SS	,3735	,3720	0,440	0,56	0,29	0,365	1,37	0,87	2,00	,3790/,3750	575	4500
QR1024.I37-150-S	3/8	1,50	304 SS	,3735	,3720	0,440	0,56	0,29	0,365	1,37	0,87	2,00	,3790/,3750	575	4500
QR1024.I37-175-S	3/8	1,75	304 SS	,3735	,3720	0,440	0,56	0,29	0,365	1,37	0,87	2,00	,3790/,3750	575	4500
QR1024.I37-200-S	3/8	2,00	304 SS	,3735	,3720	0,440	0,56	0,29	0,365	1,37	0,87	2,00	,3790/,3750	575	4500
QR1024.I37-250-S	3/8	2,50	304 SS	,3735	,3720	0,440	0,56	0,29	0,365	1,37	0,87	2,00	,3790/,3750	575	4500
QR1024.I37-300-S	3/8	3,00	304 SS	,3735	,3720	0,440	0,56	0,29	0,365	1,37	0,87	2,00	,3790/,3750	575	4500
QR1024.I37-350-S	3/8	3,50	304 SS	,3735	,3720	0,440	0,56	0,29	0,365	1,37	0,87	2,00	,3790/,3750	575	4500
QR1024.I37-400-S	3/8	4,00	304 SS	,3735	,3720	0,440	0,56	0,29	0,365	1,37	0,87	2,00	,3790/,3750	575	4500
QR1024.I50-100-S	1/2	1,00	304 SS	,4985	,4970	0,594	0,72	0,42	0,460	1,60	1,00	2,25	,5050/,5000	1160	11500
QR1024.I50-125-S	1/2	1,25	304 SS	,4985	,4970	0,594	0,72	0,42	0,460	1,60	1,00	2,25	,5050/,5000	1160	11500
QR1024.I50-150-S	1/2	1,50	304 SS	,4985	,4970	0,594	0,72	0,42	0,460	1,60	1,00	2,25	,5050/,5000	1160	11500
QR1024.I50-175-S	1/2	1,75	304 SS	,4985	,4970	0,594	0,72	0,42	0,460	1,60	1,00	2,25	,5050/,5000	1160	11500
QR1024.I50-200-S	1/2	2,00	304 SS	,4985	,4970	0,594	0,72	0,42	0,460	1,60	1,00	2,25	,5050/,5000	1160	11500
QR1024.I50-250-S	1/2	2,50	304 SS	,4985	,4970	0,594	0,72	0,42	0,460	1,60	1,00	2,25	,5050/,5000	1160	11500
QR1024.I50-300-S	1/2	3,00	304 SS	,4985	,4970	0,594	0,72	0,42	0,460	1,60	1,00	2,25	,5050/,5000	1160	11500
QR1024.I50-350-S	1/2	3,50	304 SS	,4985	,4970	0,594	0,72	0,42	0,460	1,60	1,00	2,25	,5050/,5000	1160	11500
QR1024.I50-400-S	1/2	4,00	304 SS	,4985	,4970	0,594	0,72	0,42	0,460	1,60	1,00	2,25	,5050/,5000	1160	11500
QR1024.I50-450-S	1/2	4,50	304 SS	,4985	,4970	0,594	0,72	0,42	0,460	1,60	1,00	2,25	,5050/,5000	1160	11500
QR1024.I50-500-S	1/2	5,00	304 SS	,4985	,4970	0,594	0,72	0,42	0,460	1,60	1,00	2,25	,5050/,5000	1160	11500
QR1024.I50-550-S	1/2	5,50	304 SS	,4985	,4970	0,594	0,72	0,42	0,460	1,60	1,00	2,25	,5050/,5000	1160	11500
QR1024.I50-600-S	1/2	6,00	304 SS	,4985	,4970	0,594	0,72	0,42	0,460	1,60	1,00	2,25	,5050/,5000	1160	11500