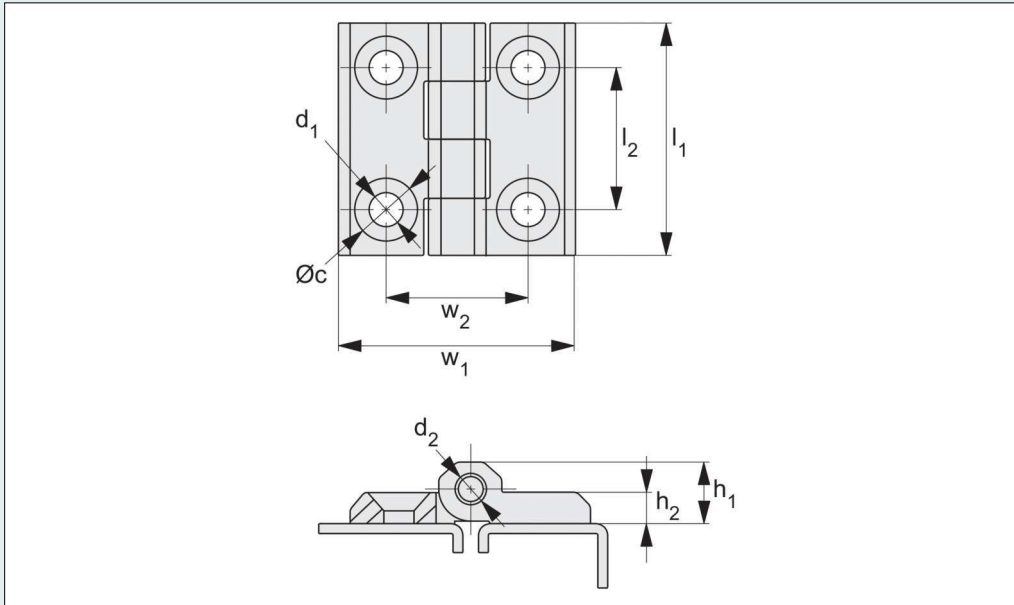


Surface Mount - Leaf Hinges

screw mount - stainless steel

Access Hardware



HH0020

Material

Stainless steel, AISI 304.

Technical notes

For plain/flush mounted doors, as well as electrical panels and covers.
Opening angle 180°.

Referral

For zinc version see part HH0010.

Order No.	Size	l_1	w_1	c	d	h_1	h_2	l_2	w_2
HH0020.M0060	60 x 60	60	60	12,5	8,4	15,0	8	36	36
HH0020.M0050	50 x 50	50	50	12,5	6,3	11,5	6	30	30