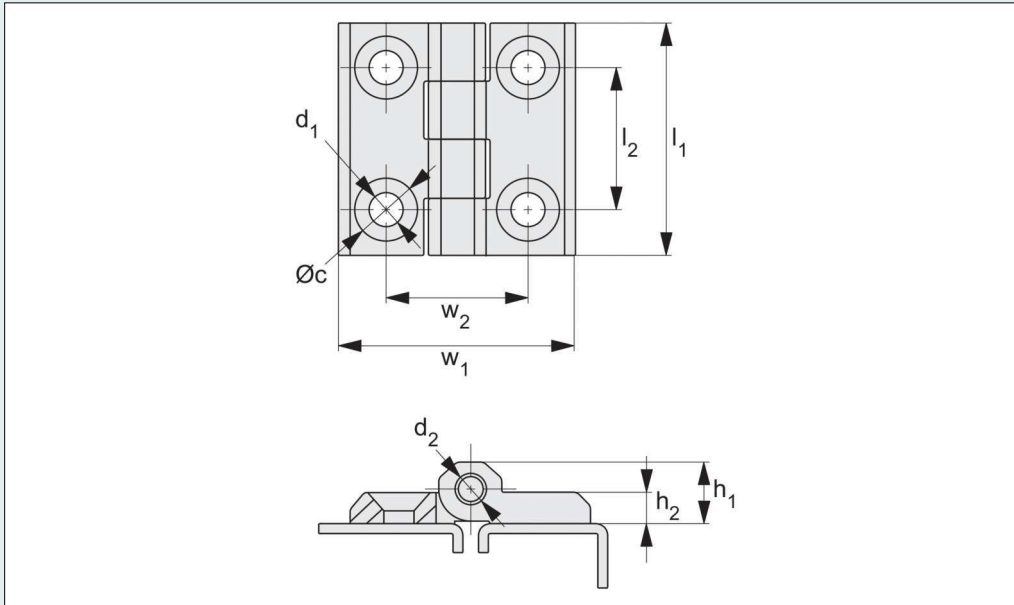


# Surface Mount - Leaf Hinges

screw mount - polyamide

Access Hardware



## HH0012

### Material

Body: polyamide.  
Pin: steel, nickel plated.

### Technical notes

For plain/flush mounted doors, as well as electrical panels and covers.

180° opening angle.

Order No.	Size	$l_1$	$w_1$	c	d	$h_1$	$h_2$	$l_2$	$w_2$
HH0012.M0050	50 x 50	50	50	12,5	6,3	11,5	6	30	30
HH0012.M0040	40 x 40	40	40	10,5	5,3	9,8	5	25	25