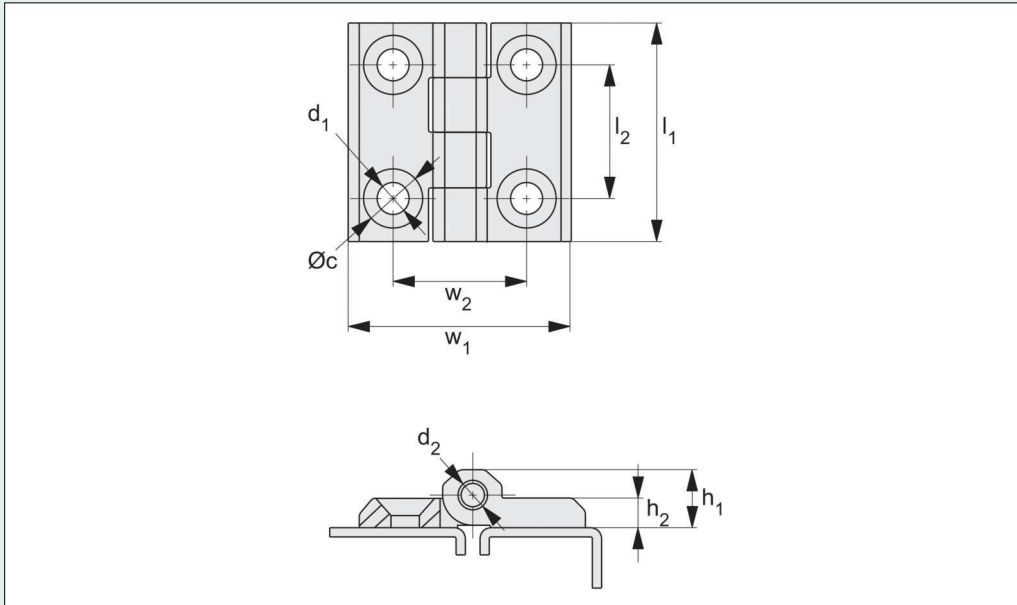


Surface Mount - Leaf Hinges

screw mount - zinc

Access Hardware



HH0010

Material

Body: die cast zinc, black powder coated.
Pin: steel, nickel plated.

Technical notes

For plain/flush mounted doors, as well as electrical panels and covers.
180° opening angle.

Referral

For stainless steel version of this hinge see part HH0020.

Order No.	Finish	Type	Size	l_1	w_1	c	d	h_1	h_2	l_2	w_2
HH0010.M0040	Black Powder	Rectangular	40 x 40	40	40	10,2	5,3	9,0	5	25	25
HH0010.M0050	Black Powder	Rectangular	50 x 50	50	50	12,5	6,3	11,5	6	30	30
HH0010.M0060	Black Powder	Rectangular	60 x 60	60	60	16,5	8,4	15,0	8	36	36
HH0010.M0057	Black Powder	Rectangular	50 x 76	50	76	12,5	6,3	11,5	6	30	56
HH0010.M0612	Black Powder	Rectangular	60 x 120	60	120	12,5	6,8	15,0	8	36	88