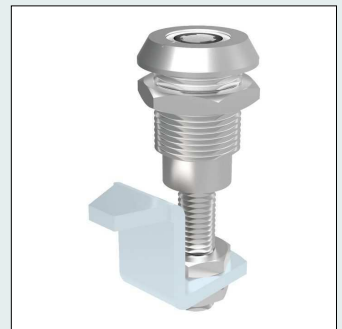
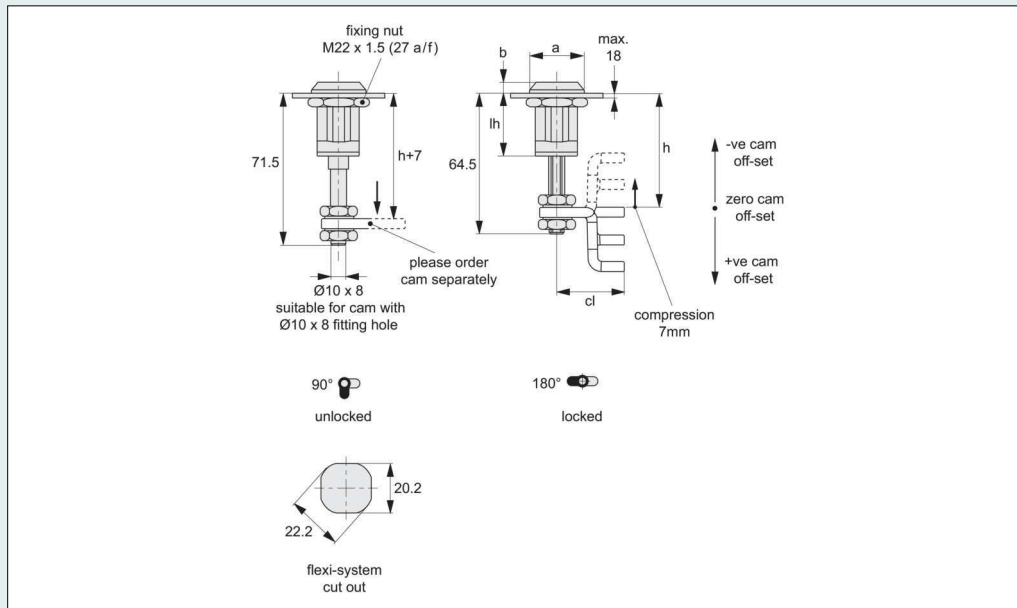


# Compression Latches - Flexi-System

insert driver - adjustable grip - zinc

Access Hardware



## CC0810

### Material

Body & insert: die cast zinc, chrome plate or black coated finish. Insert fitted with O'ring to provide IP54 rating.

Handle: polyamide.

**Not supplied:** CAM nor KEY - order separately.

### Technical notes

Order cam and key separately.

**Cams:** see suitable cam CC0030 and CC0032. Select "without projection" cam type.

Dimensions  $ch$  and  $cl$  relate to cam. Use formula to calculate  $ch$  (required cam off-set), and refer to cam selection chart;

$ch = h - lh$  where;

$ch$  = required cam off-set/height.

$h$  = grip length (distance between inside of latch face and front of cam).

$lh$  = body length of cam latch/lock to be used (see product table below).

**Keys:** see CC0010.

### Tips

Compression locks provide sealing of enclosures to reduce vibration and to provide noise isolation. Adjustable grip type has an extended stem which can be cut in length to best suit your application.

### Action:

From unlocked position, first 90° turn moves the cam to the locking

position. Turn lock 180° to engage compression, cam moves to final fixing position.

**Provides a 7mm compression stroke.**

### Important notes

Cam: quarter turn to open or close. Locking function.

### Referral

Fixed grip compression latch - CC0800. Mini compression latch CC0810.

Dust caps - CC0305.

Gaskets - see GA0010 to GA0100.

Other insert types subject to min. qty.

Order No.	Finish	Insert driver	a	b	lh
<b>CC0810.M0020</b>	Chrome Plated	Square 8	28	5,5	31
<b>CC0810.M0040</b>	Chrome Plated	Triangle 7	28	5,5	31
<b>CC0810.M0050</b>	Chrome Plated	Triangle 8	28	5,5	31
<b>CC0810.M0080</b>	Chrome Plated	Slot (2x4)	28	5,5	31
<b>CC0810.M0085</b>	Chrome Plated	Hexagon 8	28	5,5	31
<b>CC0810.M0320</b>	Black Coated	Square 8	28	5,5	31
<b>CC0810.M0340</b>	Black Coated	Triangle 7	28	5,5	31
<b>CC0810.M0350</b>	Black Coated	Triangle 8	28	5,5	31
<b>CC0810.M0380</b>	Black Coated	Slot (2x4)	28	5,5	31
<b>CC0810.M0385</b>	Black Coated	Hexagon 8	28	5,5	31