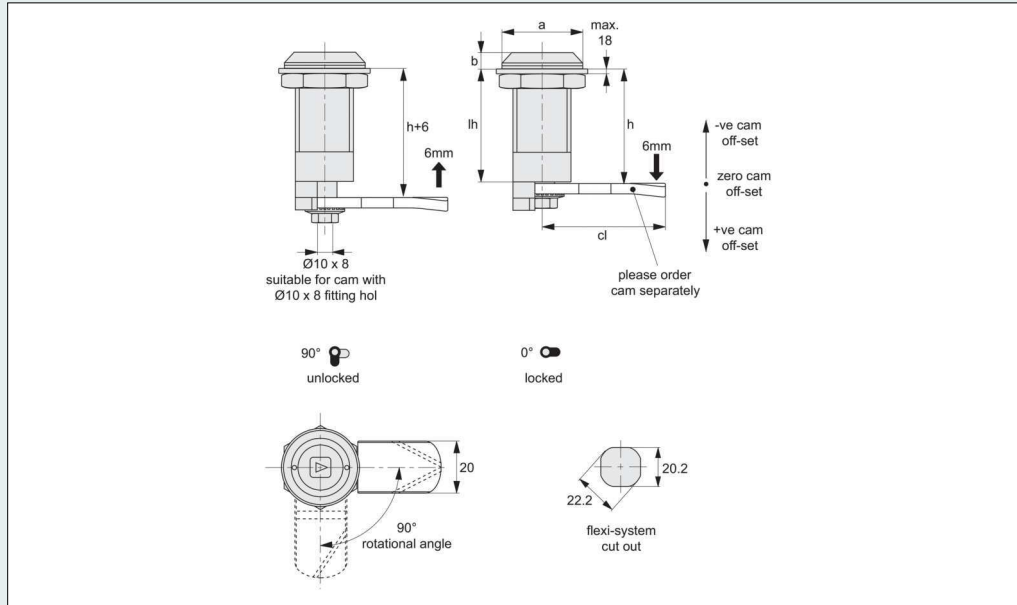


Compression Latches - Flexi-System

insert driver - fixed grip - stainless steel

Access Hardware



CC0802

Material

Body & insert: stainless steel, AISI 304. Insert fitted with O'ring to provide IP54 rating.
Shaft: steel, white zinc plated.
Not supplied: KEY - order separately.

Technical notes

Order cam and key separately.
Cams: see suitable cam CC0030 and CC0032. Select "without projection" cam type.
Dimensions ch and cl relate to cam.

Use formula to calculate ch (required cam off-set), and refer to cam selection chart;
ch = h - lh where;
ch = required cam off-set/height.
h = grip length (distance between inside of latch face and front of cam).
lh = body length of cam latch/lock to be used (see product table below).
Keys: see CC0010.

Tips

Compression locks provide sealing of enclosures to reduce vibration and to

provide noise isolation.

Action:

From unlocked position, first 90° turn moves the cam to the locking position. Turn lock 180° to engage compression. Turn lock 180° to engage compression, cam moves to final fixing position.

Provides a 6mm compression stroke.

Referral

Dust caps - CC0300.
Gaskets - GA0010 to GA0100.
Other insert types subj. to min. qty.

Order No.	Insert driver	Type	a	b	lh
CC0802.M0020	Square 8	Fixed Grip	28	5	38
CC0802.M0050	Triangle 8	Fixed Grip	28	5	38