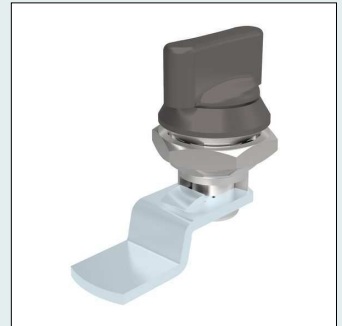
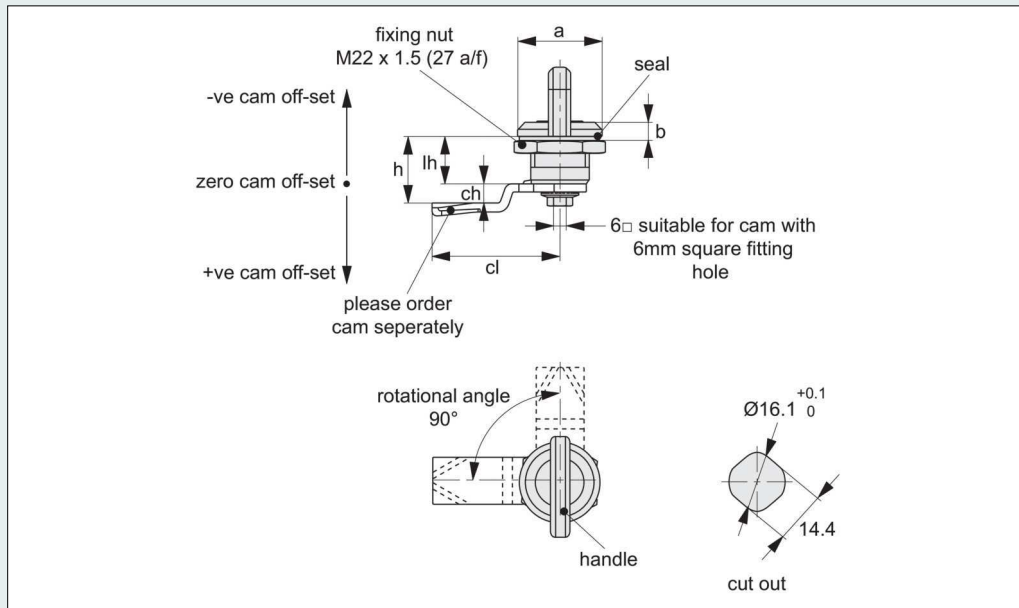


Mini Cam Latches

wing handle - fixed grip - plastic handle

Access Hardware



CC0502

Material

Body & insert: die cast zinc, black powder coated.

Handle: black plastic, PA6.

Not supplied: CAM - order separately.

Technical notes

Order cam separately.

Cams: see suitable cam CC0050.

Select "with projection" cam type to

prevent cam rotating over 45°.

Dimensions **ch** and **cl** relate to cam. Use formula to calculate **ch** (required cam off-set), and refer to cam selection chart;

ch = **h** - **lh** where;

ch = required cam off-set/height.

h = grip length (distance between inside of latch face and front of cam).

lh = body length of cam latch/lock to be used (see product table below).

Tips

Wing knob actuates lock, and also acts as knob/handle.

Important notes

Sold subject to pack quantity.

Referral

Gaskets - GA0010 to GA0100.

Other insert types subj. to min. qty.

Order No.	Body	Handle	a	b	lh
CC0502.M0110	Zinc Chrome Finish	Black PA Plastic	20	4	12,5
CC0502.M0120	Zinc Black Powder Finish	Black PA Plastic	20	4	12,5