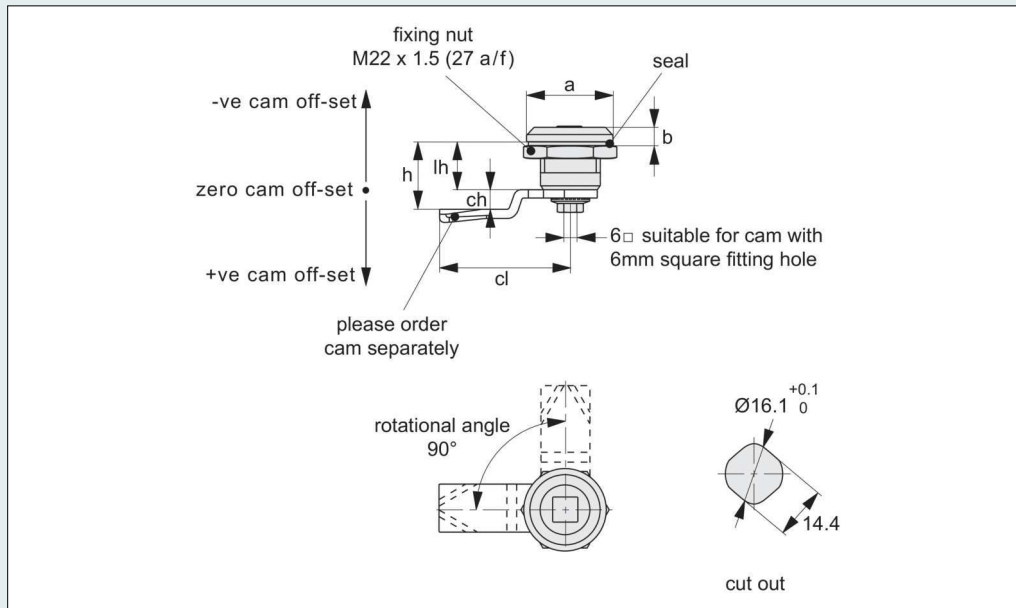


Mini Cam Latches

insert driver - fixed grip

Access Hardware



CC0500

Material

Type one: Body & insert: die cast zinc, chrome plated or black powder coated.

Supplied with: Keys: two per lock.

Not supplied: CAM - order separately.

Technical notes

Order cam and key separately.

Cams: see suitable cam CC0050.

Select "with projection" cam type to

prevent cam rotating over 45°.

Dimensions ch and cl relate to cam. Use formula to calculate ch (required cam off-set), and refer to cam selection chart;

$ch = h - lh$ where;

ch = required cam off-set/height.

h = grip length (distance between inside of latch face and front of cam).

lh = body length of cam latch/lock to be used (see product table below).

Keys: see CC0102.

Tips

Mini cam latches for any application; securing doors, cabinets etc. Quarter-turn opening or closing.

Important notes

Sold subject to pack quantity.

Referral

Gaskets - GA0010 to GA0100.

Other insert types subj. to min. qty.

Order No.	Finish	Insert driver	a	b	lh
CC0500.M0006	Chrome Plated	Square 6	20	4	12,5
CC0500.M0078	Chrome Plated	Slot (2x4)	20	4	12,5
CC0500.M0306	Black Coated	Square 6	20	4	12,5
CC0500.M0378	Black Coated	Slot (2x4)	20	4	12,5