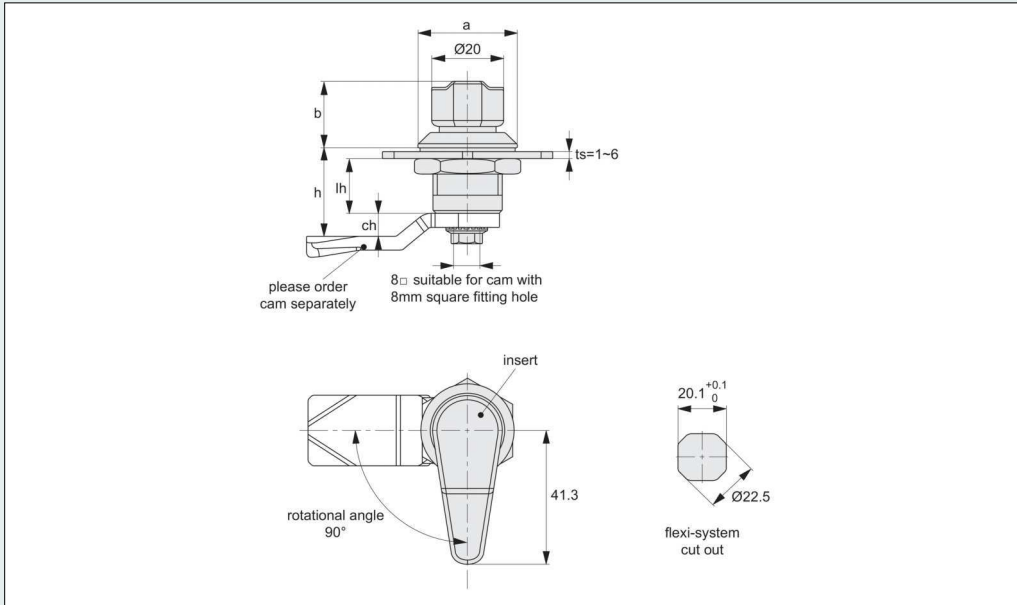


# Cam Latches - Flexi-System

fixed grip - finger handle

Access Hardware



## CC0440

### Material

**Type one:** Body: die cast zinc, black powder coated.

Handle: polyamide, black.

**Type two:** Body & handle: polyamide, black.

### Technical notes

Order cam separately.

**Cams:** see suitable cam CC0020, and CC0040. Select "without projection"

cam type.

Dimensions ch and cl relate to cam. Use formula to calculate ch (required cam off-set), and refer to cam selection chart;

**ch** =  $h - lh$  where;

**ch** = required cam off-set/height.

**h** = grip length (distance between inside of latch face and front of cam).

**lh** = body length of cam latch/lock to be used (see product table below).

**Rods & Guides:** to achieve 3-point

latching - CC0340, CC0350, CC0355.

### Tips

Finger knob actuates lock, and also acts as a handle.

### Important notes

Sold subject to pack quantity.

### Referral

Gaskets - GA0010 to GA0100.

Order No.	Material	a	b	lh
CC0440.M0318	Zinc	28	18	18
CC0440.M0328	Zinc	28	18	28
CC0440.M0336	Zinc	28	18	36
CC0440.M0362	Zinc	28	18	62
CC0440.M0518	Polyamide	28	18	18
CC0440.M0528	Polyamide	28	18	28
CC0440.M0536	Polyamide	28	18	36
CC0440.M0562	Polyamide	28	18	62