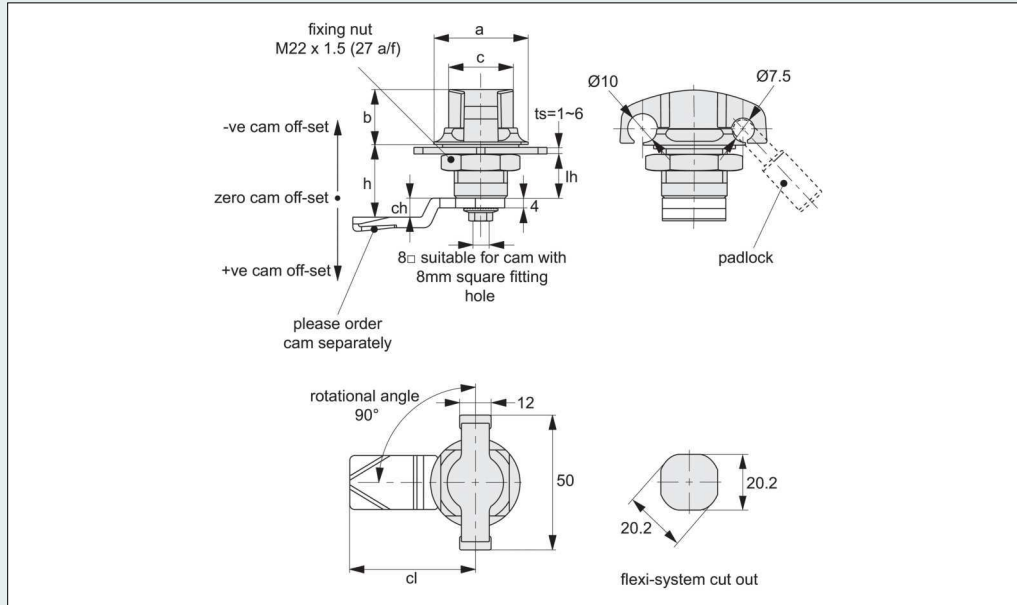


Cam Latches - Flexi-System

padlock wing handle - fixed grip - zinc

Access Hardware



CC0430

Material

Body & Handle: die cast zinc, pocked black powder or chrome plated.

Not supplied: CAM - order separately.

Technical notes

Order cam separately.

Cams: see suitable cam CC0020 and CC0040. Select "without projection" cam type.

Dimensions ch and cl relate to cam.

Use formula to calculate ch (required cam off-set), and refer to cam selection chart;

ch = h - lh where;

ch = required cam off-set/height.

h = grip length (distance between inside of latch face and front of cam).

lh = body length of cam latch/lock to be used (see product table below).

Rods & Guides: to achieve 3-point latching - CC0340, CC0350, CC0355.

Tips

The wing knob can be locked by two sizes of padlock max. shackle dia. 7.5mm or 10mm. See technical diagram (padlock not supplied). Panel thickness (ts) is 1 to 6mm max.

Important notes

Sold subject to pack quantity.

Referral

Gaskets - GA0010 to GA0100.

Order No.	Type	a	b	c	lh
CC0430.M0010	Chrome Plated	33	19	21	18
CC0430.M0310	Black Coated	33	19	21	18

