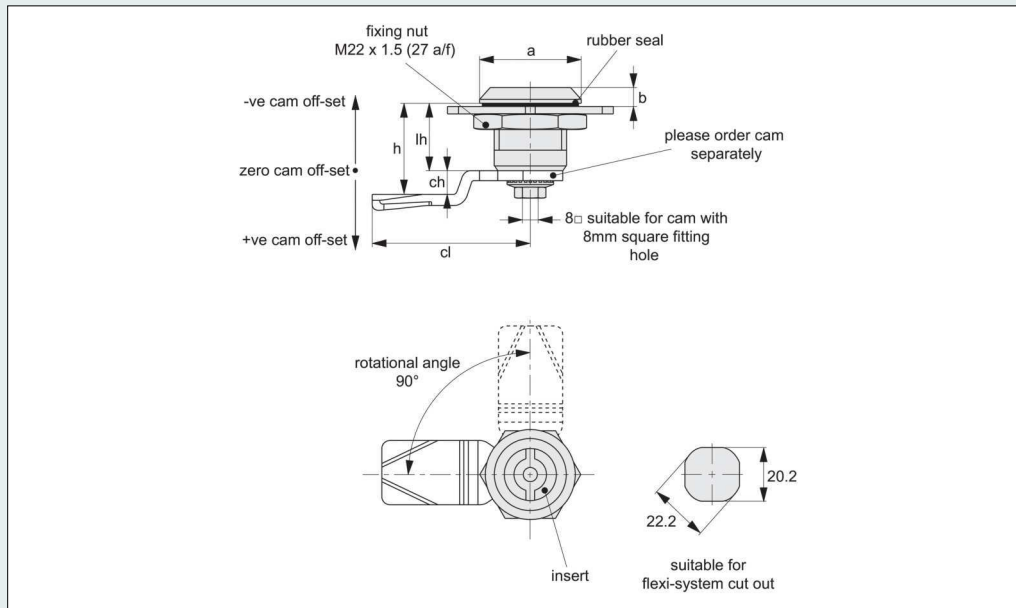


Cam Latches - Flexi-System

insert driver - fixed grip - plastic

Access Hardware



CC0410

Material

Body: polyamide plastic, black.
 Insert: zinc alloy, black coated. Fitted with O'ring to achieve IP54 rating.
 Internal spring provides 1,5mm torsion.
Supplied with: Nut: steel, zinc plated.
 Sealing washer: PU & Rubber.
Not supplied: CAM nor KEY - order separately.

Technical notes

Order cam and key separately.

Cams: see suitable cam CC0020 and CC0040. Select "without projection" cam type.

Dimensions ch and cl relate to cam. Use formula to calculate ch (required cam off-set), and refer to cam selection chart;

$ch = h - lh$ where;

ch = required cam off-set/height.

h = grip length (distance between inside of latch face and front of cam).

lh = body length of cam latch/lock to be used (see product table below).

Keys: see CC0010.

Rods & Guides: to achieve 3-point latching - CC0340, CC0350, CC0355.

Important notes

An inexpensive alternative to stainless steel, where water or other solutions may cause corrosion. Sold subject to pack quantity.

Referral

Dust caps - CC0305.

Gaskets - GA0010 TO GA0100.

Other insert types subj. to min. qty.

Order No.	Insert drivers	a	b	lh
CC0410.M0010	Square 7	28	6	18
CC0410.M0020	Square 8	28	6	18
CC0410.M0040	Triangle 7	28	6	18
CC0410.M0050	Triangle 8	28	6	18
CC0410.M0060	3mm Double Bit	28	6	18
CC0410.M0070	4mm Double Bit	28	6	18
CC0410.M0080	Slotted (2x4)	28	6	18

Cam Latches - Flexi-System

insert driver - fixed grip - plastic

Access Hardware

